



IPD Products for CATERPILLAR® C12 ENGINES



IPD's program for Caterpillar® engines includes the basic overhaul parts necessary to rebuild these engines. The Quality of these parts is typical of what mechanics around the world have come to expect from IPD, and the parts are priced to save you money on your C12 rebuild.

IPD Overhaul kits include:

- ◆ **Cylinder kits including the IPDSteel® articulated, 2 piece pistons** with IPD patented cast steel crown and aluminum skirt, as well as piston pin, rings and liner.
- ◆ **IPD Induction Hardened Liner** for maximum wear resistance.
- ◆ **IPD Rod & Main Bearings** made from heavy-duty/industrial grade materials (not automotive grade).
- ◆ **IPDStyle 1-2-3™ Gasket Sets** which give you all the items you need for a proper In-Frame engine overhaul.

Individual components that are available also include:

- ◆ Camshaft bushings
- ◆ Idler Gear bushing
- ◆ Valves, guides, seats and springs
- ◆ Connecting rod bushings

All packaged in high quality IPD In-Frame overhaul boxes.

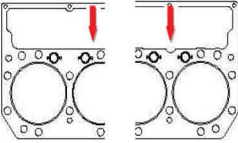
IPD IS ISO9001:2008
CERTIFIED BY
LLOYD'S REGISTER



IPD PARTS FOR CATERPILLAR® C12 ENGINES

IPD Part Number	Description	IPD Cylinder Kit Number Included	Engine Serial Ranges	Head Gasket (Scalloped or Straight)
IPD IN FRAME C12 OVERHAUL KITS				
IF9374/032STR	IN FRAME KIT, TRUCK	PLG1979374	MBL1-UP	Straight
IF2948/002SCL	IN FRAME KIT, TRUCK	PLG1442948	9NS1-UP	Scalloped
IF2948/002STR	IN FRAME KIT, TRUCK	PLG1442948	9NS1-UP	Straight
IF2948/022SCL	IN FRAME KIT, TRUCK	PLG1442948	2KS1-UP	Scalloped
IF2948/022STR	IN FRAME KIT, TRUCK	PLG1442948	2KS1-UP	Straight
IF9328/012SCL	IN FRAME KIT, TRUCK	PLG1979328	1YN1-UP	Scalloped
IF9328/012STR	IN FRAME KIT, TRUCK	PLG1979328	1YN1-UP	Straight
IF2948/052STR	IN FRAME KIT, TRUCK	PLG1979328	CPD1-UP	Straight
IF2948/042STR	IN FRAME KIT, INDUSTRIAL	PLG1442948	BDL1-UP	Straight
IPD Out-of-Frame engine kits also available				SCL = Scalloped head gasket STR = Straight head gasket

IPD CYLINDER KITS FOR C12				
IPD Part Number	Description	Compression Ratio of Piston	Comments	
PLG1442948	CYLINDER KITS	16:25:1	PLG kit contains: crown, skirt, rings, pin, retainers, liner and seal. See above for application by engine serial number	
PLG1979328	CYLINDER KITS	16:0:1		
PLG1979374	CYLINDER KITS	16:2:1		
IPD Engine and PLG kits applicable to applications with less than 500BHP				

IPD STYLE 123™ IN FRAME GASKET SETS FOR C12 APPLICATIONS				
IPD Part Number	REMARKS		Engine Serial Ranges	Head Gasket (Scalloped or Straight)
C12002SCLNLS	TRUCK ENGINE		Shown	9NS
C12002STRNLS	TRUCK ENGINE	9NS		Straight
C12022SCLNLS	TRUCK ENGINE	2KS		Scalloped
C12022STRNLS	TRUCK ENGINE	2KS		Straight
C12012STRNLS	TRUCK ENGINE	1YN		Straight
C12012SCLNLS	TRUCK ENGINE	1YN		Scalloped
C12032STRNLS	TRUCK ENGINE	MBL		Straight
C12052STRNLS	TRUCK ENGINE	CPD		Straight
C12042STRNLS	INDUSTRIAL ENGINE	BDL		Straight
Injector o-rings are not included in IPDStyle 1-2-3 Gasket Sets IPDStyle 1-2-3 Out-of-Frame gasket sets also available Additional OE Style gasket sets are also available				SCL = Scalloped head gasket STR = Straight head gasket

IPD ENGINE BEARINGS AND BUSHINGS FOR C12 APPLICATIONS				
IPD Part Number	Description	Quantity per Engine	Engine Serial Ranges	Comments
2110588	MAIN BEARING, STANDARD	3	ALL	
1280382	MAIN BEARING, .50 MM	AS REQUIRED	ALL	
2110587	MAIN BEARING, STANDARD	4	ALL	
1280400	MAIN BEARING, .50 MM	AS REQUIRED	ALL	
2463144	THRUST PLATE	2	ALL	
1161089	ROD BEARING, STANDARD	6	ALL	
1280395	ROD BEARING, .50 MM	AS REQUIRED	ALL	
1152972	BUSHING, CONNECTING ROD	6	ALL	
9M2418	BUSHING, IDLER GEAR	1	ALL	
2165584	CAM BEARING	1	ALL	Rear
2165585	CAM BEARING	1	ALL	Front
2165583	CAM BEARING	5	ALL	Intermediate

IPD VALVE TRAIN PARTS FOR C12 APPLICATIONS

IPD Part Number	Quantity per Engine	ENGINE SERIAL NUMBER RANGE					
		MBL1-UP	BDL1-UP	9NS1-UP	1YN1-UP	2KS1-348	2KS349-UP
GUIDE, VALVE	24	1008150	1008150	1008150	1008150	1323214	1008150
LOCK, VALVE	48	2A4429	2A4429	2A4429	2A4429	2A4429	2A4429
SPRING, INNER	24	2414441	2414441	2414441	2414441	2414441	2414441
SPRING, OUTER	24	2140586	2140586	2140586	2140586	2140586	2140586
VALVE, INTAKE	12	1929213	1929213	1929213	7E9578	7E9578	1929213
VALVE, EXHAUST	12	1337029	1337029	1337029	1337029	1337029	1337029

Note: All IPD valves are made of materials designated for this application

IPD MISCELLANEOUS PARTS FOR C12 APPLICATIONS

IPD Part Number	Description	IPD Part Number	Description	IPD Part Number	Description
5S8543	BEARING, OIL PUMP DRIVE	0L1026	PLUG, CORE	1979251	PISTON PIN
7C3095	REGULATOR 190 (THERMOSTAT)	3B0623	PLUG, CORE	1979341	PISTON RING, COMPRESSION
3S9643	SEAL, THERMOSTAT	1B3867	BALL BEARING	2168570	PISTON RING, INTERMEDIATE
7C8292	ISOLATOR	1B8705	KEY, WOODRUFF	2382704	PISTON RING, OIL CONTROL
6I1638	BASE, INJECTOR POSITIONING				



Please continue to check with your IPD Customer Service Center or our free IPD e-newsletter available at www.ipdparts.com for updates to our coverage on all of our product lines

IPD IS AN ISO9001:2008 CERTIFIED COMPANY



The Standard for Quality, Innovation, Service and Support Since 1955

IPD TORRANCE CALIFORNIA STEEL PISTON MANUFACTURING FACILITY IS ISO9001:2008 CERTIFIED BY LLOYD'S REGISTER



IPDSteel® patented cast steel articulated pistons are manufactured using state of the art CNC equipment at IPD's Torrance California facilities under our ISO9001:2008 certified program.

IPD'S ENGINE PARTS PROGRAM INCLUDES PRODUCTS FOR OLDER AND NEWER APPLICATIONS.

IPD offers the most extensive application coverage in the aftermarket, stretching into engines made over a 5 decade period.

Here is a quick list of the applications currently included in the IPD product line:

D333	D3114	D3412	G3304	C7
D342	D3116	D3508	G3306	C9
D343	D3126	D3512	G3406	C10/3176C
D346	D3204	D3516	G3408	C12
D348	D3208	G342	G3412	C15
D353	D3304	G353	G3508	C18
D379	D3306	G379	G3512	Cummins ISX/QSX
D398	D3406	G398	G3516	DD60 Series
D399	D3408	G399	G3520	<i>and more!</i>